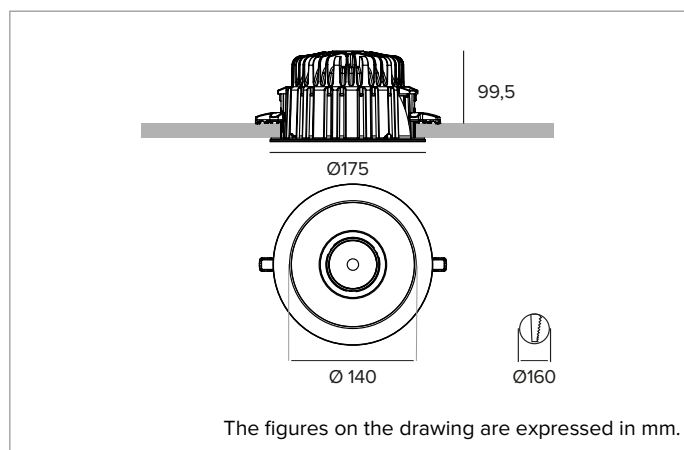


T042SM830ELPW | CCTLED DOWNLIGHT Smart

Recessed LED downlight



| | | | | | | |
|--------|----------------|---------------|---------|------|----------|------|
| | | 3000K | H(m) | D(m) | Emax(lx) | |
| | | Ra80 | | | 83° | |
| | | Fixture Power | 29W | 1 | 1.76 | 2188 |
| | | Source Flux | 4290lm | 2 | 3.52 | 547 |
| | | Fixture Flux | 3642lm | 3 | 5.28 | 243 |
| | | Efficacy | 128lm/W | 4 | 7.04 | 137 |
| TS1698 | Imax=564cd/klm | Imax | 2418cd | 5 | 8.80 | 88 |



SOURCE

High efficiency Chip on Board LED Ra80.

Energy efficiency class: D

Nominal power: 25W

Nominal flux: 4290lm

Colour rendering index: 80

Rf: 84

Rg: 96

CCT nominal: 3000K

Lifetime (L80/B10): >100000h tq +25°C

ILLUMINOTECHNICAL CHARACTERISTICS

Smooth precision optic with a matte or high reflectance finish. Micro prismatic polycarbonate refractor.

Optic: MATT

Beam angles: VWFL

Optical efficiency: 85%

Fixture flux: 3642lm

Luminous efficacy: 128lm/W

Photobiological safety: Compliant with RG1 low risk group

MECHANICAL CHARACTERISTICS

Body and heat sink in die-cast anodised aluminium. Passive heat sink cooling system. Completed with decorative white rounded ring.

Colour and finish: White

Weight: 1.2Kg

Degree of protection: IP20 for recessed part

Degree of protection: IP43 for exposed part

ELECTRICAL CHARACTERISTICS

Complete with an electronic ON/OFF driver. Emergency kit with 1h and 3h batteries available as accessories. Luminaire compliant with EN 60598-2-22 for power supply from a centralised emergency system CPSS (Central Power Supply System), not incorporated in the luminaire - high risk areas excluded. The default power and flux are 100% in AC and 100% in DC.

Fixture Power: 29W

Power supply: 220-240Vac 50/60Hz

Insulation Class: CLASS 2

Type of driver / Control: ON-OFF

Driver included: YES

Class F: YES

SAFE FLICKER: PstLM=<1 and SVM=<0.4 (IEC TR 61547-1 and IEC TR 63158), to ensure a more comfortable and safe light

Ambient temperature: 0°C / +25°C

INSTALLATION

Quick tool-free mounting system for false ceiling installation from 0.5 to 30mm.

NOTES

110-277Vac version available on request.

WARRANTY

5 years.

WARNING

Luminaire designed for disposal/recycling at end-of-life. Replaceable (LED only) light source by a professional. Replaceable control gear by a professional.

Due to the technological evolution of the electronic components, the data provided may be updated, and as such, confirmation must be requested during the order process.

Luminous flux and power supply have +/-10% tolerances with respect to the indicated value. tq +25°C (CIE 121).

We reserve the right to make technical changes.

Targetti Sankey S.r.l.
Via Pratese, 164
50145 Firenze - Italy
Tel: +39 055 37911
targetti.com
targetti@targetti.com

CCIAA Firenze
Share Capital:
€ 500.000,00
VAT N. (IT):
01537660480
R.E.A: FI-275656

TARGETTI

T042SM830ELPW | CCTLED DOWNLIGHT Smart Recessed LED downlight

Accessories

Emergency Kit



Code

A059

Emergency kit composed of an inverter a LiFePO4 battery and a LED Green indicator.
Allows permanent EP emergency use of the fixture it is connected to.

The 1h or 3h autonomy can be selected by configuring the fixture.

The batteries take 12h to completely recharge.

LED Green indicator wired to the inverter through single-core cables L= 800mm.

Emergency kit for fixtures that comply with EN 60598-2-22 standard, high risk areas excluded.

Battery size 160x54x30 mm.

Inverter size 165x40x25 mm.

Due to the technological evolution of the electronic components, the data provided may be updated, and as such, confirmation must be requested during the order process.

Luminous flux and power supply have +/-10% tolerances with respect to the indicated value. tq +25°C (CIE 121).

We reserve the right to make technical changes.

Targetti Sankey S.r.l.
Via Pratese, 164
50145 Firenze - Italy
Tel: +39 055 37911
targetti.com
targetti@targetti.com

CCIAA Firenze
Share Capital:
€ 500.000,00
VAT N. (IT):
01537660480
R.E.A: FI-275656

TARGETTI